

**CS-PIC-3** is a top-of-the-line pneumatic grommet attaching machine. It carries all the superior features of the CSPIC-2 and expands on them. The adjustable digital pressure regulator allows the user to set the exact pressure required and keep it consistent for each stroke. The built in laser pointer makes precision easier than ever.

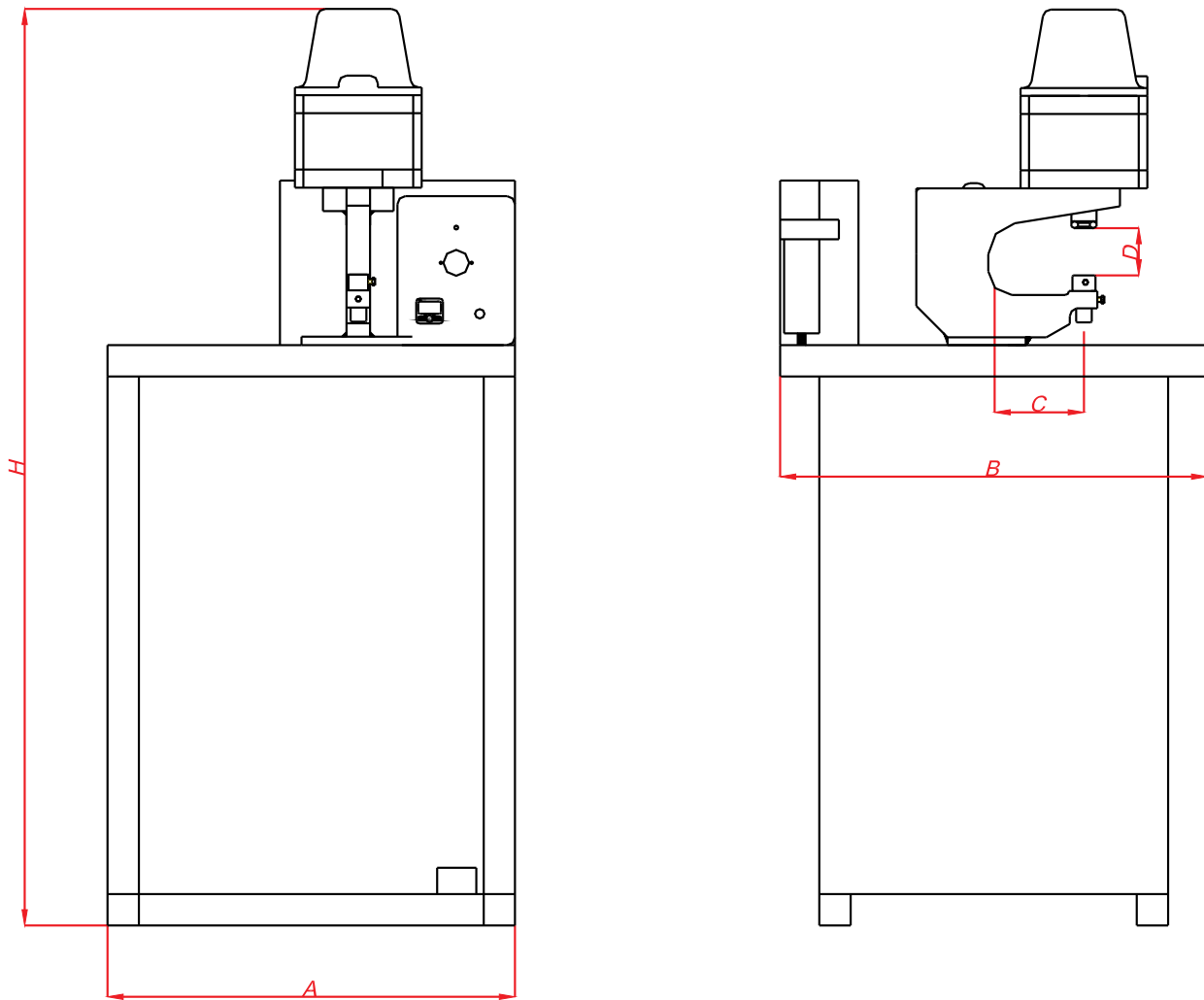
- ▶ **Hand-free use.** The CS-PIC-3 is operated by a pneumatic foot pedal. Thus, the operator can use both hands for loading the grommet and adjusting the material during application.
- ▶ **Advanced safety system.** Unlike most pneumatic machines' mechanical safety systems that limit the capabilities of the machine, the CS-PIC-3's safety system senses human static electricity. If the user touches any metal part of the machine it will immediately stop the machine. This system widely increases the variety of projects you can handle with the CS-PIC-3 without risk to the operator.
- ▶ **Consistent and exact pressure for each stroke.** Regardless of operator expertise and carefulness, CS-PIC-3 guarantees you the exact same application quality in each stroke.
- ▶ **Shaft rotation prevention system.** Precisely attach even non-circular accessories.
- ▶ **Digitally adjustable pneumatic pressure level.**
- ▶ **Self lubricating.** No need for external greasing. The CS-PIC-3 greases itself with it's built-in components.
- ▶ **Moisture control.** Collects the humidity compressed air before reaching the machine. This helps prevent rusting and increases both the life and performance of the cylinder.
- ▶ **Air compressor compatibility.** The CS-PIC-3 will work with house air or a small air compressor. It usually runs on approximately 80 PSI, but the air pressure level is adjustable to fit your specific job.
- ▶ **Completely assembled.** Comes as shown in the picture pre-mounted to the table.
- ▶ **Precision laser pointer** to show the position where the grommet will be attached.
- ▶ **Interchangeable dies.** All ClipsShop self-piercing dies up to size #5.5 and #12 are compatible with the CS-PIC-3.
- ▶ **Suitable for applications on various materials.**

With all of these superior features, the **CS-PIC-3** is the best in it's class for reliable, high capacity pneumatic grommet setting machines. Get the most out of your machine with this time saving, versatile press!



## PNEUMATIC PRESS CS-PIC-3

# PNEUMATIC PRESS: CS-PIC-3



## Dimensions

	Inch / mm
A	21.46 / 545
B	21.46 / 545
C	4.8 / 122
D	3.54 / 90
H	47.24 / 1200

## Technical Features

Compatible grommet sizes	All standard sizes to #12
Weight	117 lbs / 53 kg
Overall dimensions	48.5" h x 21.25" w x 21.25" d

**METAL**.com  
**grommets**