



The ClipsShop CSTON-1 is a perfect stroking grommet attaching machine for professional use. Its a precision made machine for years of consistently applied grommets with very little operator effort. An internal spring sets the tensions and does most of the work. This machine **does NOT** rely on the strength or the pressure of the operator. Once the machine is properly set each grommet will be applied with exactly the same pressure with a simple pull of the handle towards the operator. This press is perfect for working in a seated position. If a small manual hand press is too much work, but a pneumatic or electric machine is too big or too expensive then this could be the press for you.

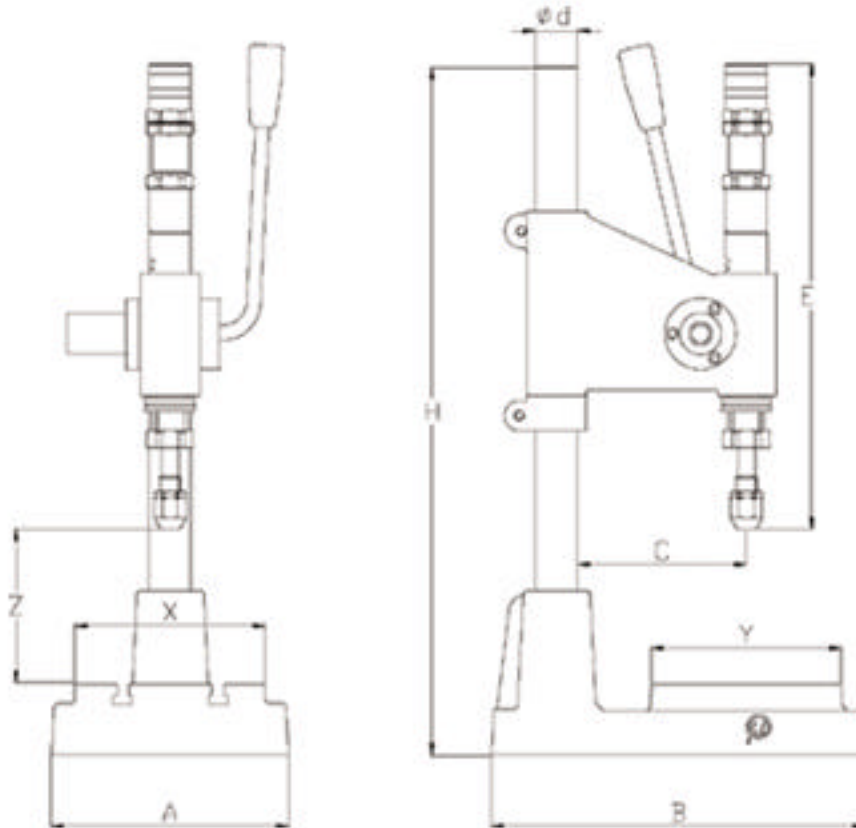
- **Needs minimum hand press power and effort.** The required stroking pressure is sourced by the spring system inside the machine. This makes the machine very easy for anyone to use with little physical effort.
- **Adjustable stroking pressure level.** The stroking power can be adjusted from the screw system located on the top of the machine for perfectly applied grommets.
- **Interchangeable self-piercing dies.** By piercing the hole during application, our machines eliminate a production step. All METALgrommets.com self-piercing dies up to #5.5 (11/16") are compatible with CSTON-1.
- **Suitable for applications on various materials.** Vinyl, corrugated plastic, other plastics, fabric, poster board and many other substrates.
- **Heavy duty durable machine.** Lasts for years with little maintenance.
- **1 year ClipsShop warranty against manufacturing defects.**

Please note: Unlike most traditional grommet machines that allow only one size of grommet application, the CSTON-1, like all other METALgrommets.com machines, can set various sizes of grommets by a simple die changing process which takes only minutes.



STROKING HAND PRESS CSTON-1

STROKING HAND PRESS CSTON-1



Dimensions

Inch/mm

A	7.87 / 200
B	12.40 / 315
H	20.47 / 520
C	5.51 / 140
X	6.30 / 160
Y	6.30 / 160
Z (maximum)	11.81 / 300
d (Ø)	1.42 / 36
E	14.37 / 365

Technical Features

Compatible grommet sizes	All standard sizes to #5.5
Weight	55.1 lbs / 25 kg
Overall dimensions	20.5" h x 7.9" w x 12.4" d